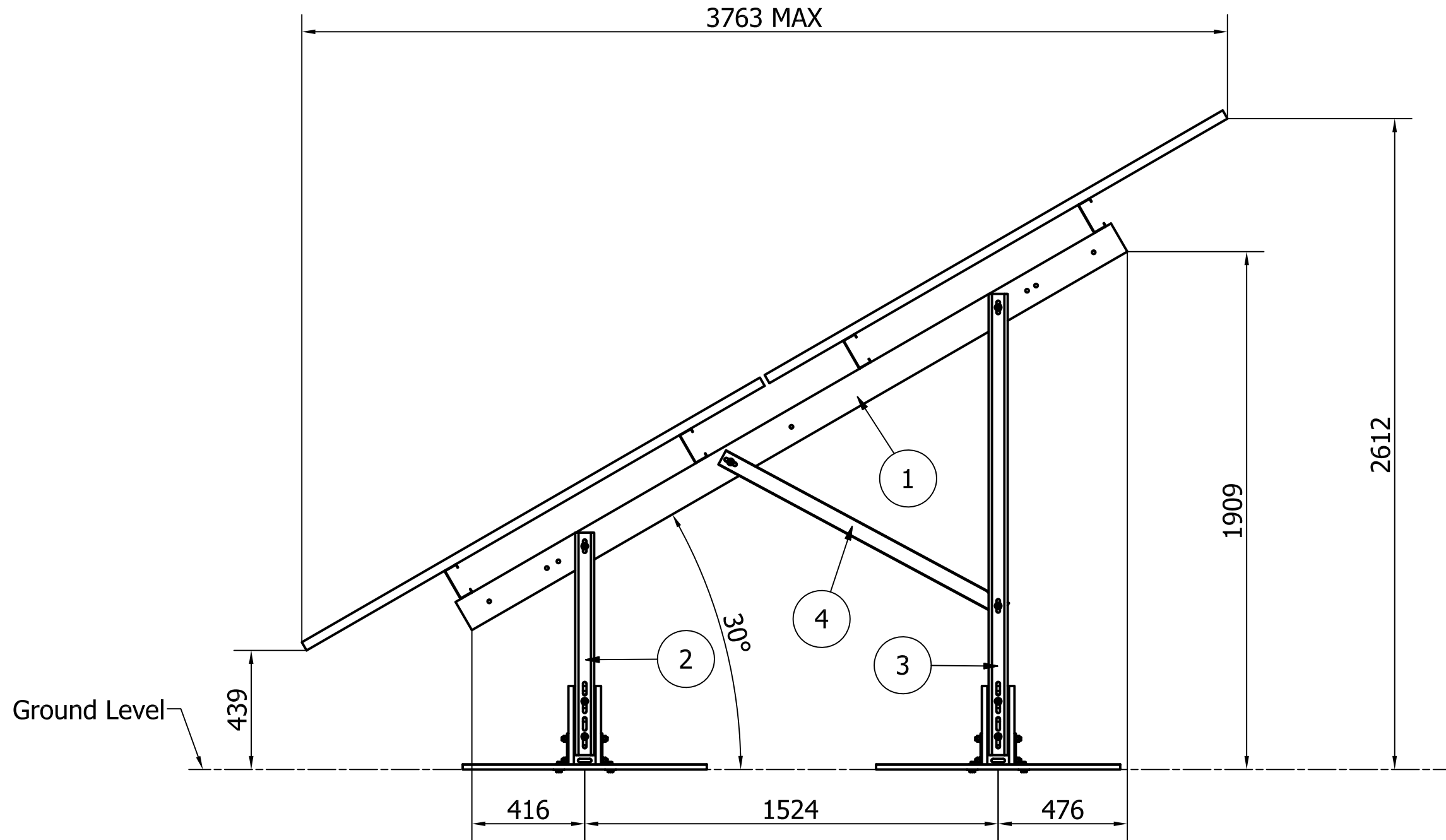


Assembly 11999-4 - 72 Cell 2-in-Potrait - Twin Post		
ITEM	PART NUMBER	DESCRIPTION
1	12006	GM Rafter - 72 Cell Portrait - 120x50x2
2	12010	GM Front Upright - 70x50x3
3	12009	GM Rear Upright - 70x50x3
4	12019	GM Brace - 40x60x2 - 1518 Length



**Notes:**

- 1) EACH PV PANEL MEASURES 2163 x 1030 mm & WEIGHS APPROXIMATELY 26KG.
- 2) THE PV SYSTEM IS TO BE READ IN CONJUNCTION WITH ALL WATT ENERGY SAVER DRAWINGS AND THE MANUFACTURERS INSTALLATION GUIDELINES.

DRAWING STATUS	
ISSUED FOR INFORMATION	
ISSUED FOR TENDER	
ISSUED FOR COMMENT	
ISSUED FOR APPROVAL	06/05/21
ISSUED FOR CONSTRUCTION	
AS INSTALLED	

Watt Energy Saver Ltd  
 Centre of Renewable Energy  
 Manor Business Park  
 East Drayton  
 Nottinghamshire  
 DN22 0LG  
 Tel: 0845 475 7710



Client:

BRITISH GYPSUM

Project:

CLOSED LANDFILL

Title:

SOLAR PHOTOVOLTAIC  
 TWIN POST GROUND MOUNT  
 30 DEGREE

Scale: 1:NTS@A3

Date: 06/05/2021

Drawn: R.H

Checked: A.L

Drawing Number

EQ5005-E-37-01

Rev

0

Rev	Description	Date